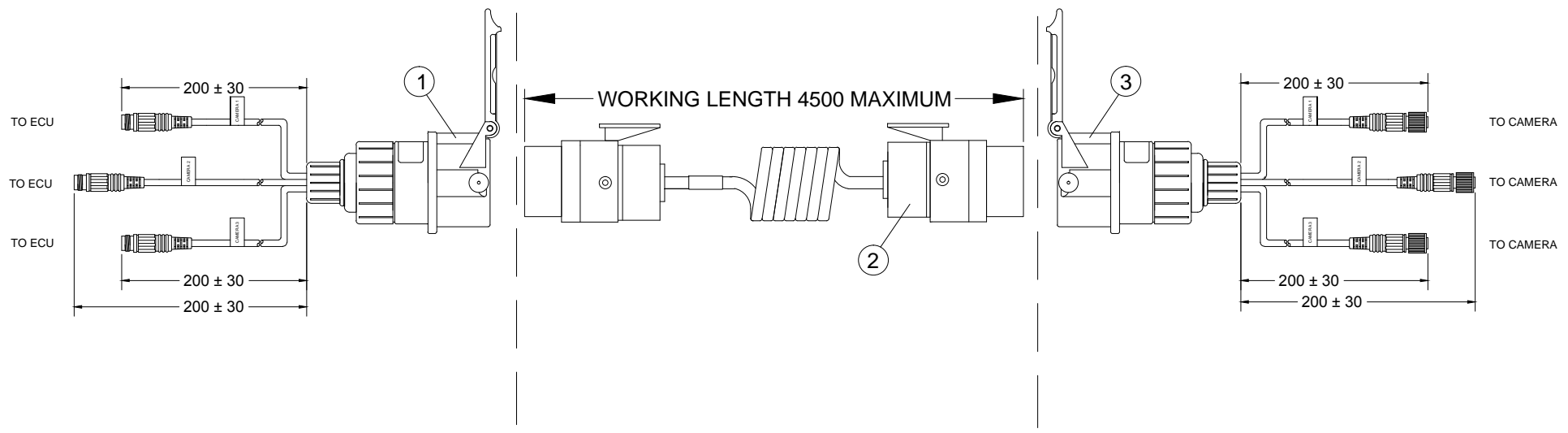


Revision Notes.				
R1 -				
APA: -	Drawn:-	Checked:-	Approved:-	Date: -

ITEM	PART NO	QTY	DESCRIPTION
①	(5064)	1	SP-15A-05
②	(3268A)	1	SC-15-01
③	(5065)	1	SP-15B-05

CAB

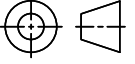
TRAILER



- NOTES:
- REFER TO COMPONENT DRAWINGS FOR COMPONENT DETAIL.
  - REFER TO COMPONENT PRODUCT SPEC FOR PRODUCT SPECIFICATIONS.
  - PHYSICAL APPEARANCE OF THE CONNECTORS MAY VARY ALTHOUGH FUNCTION MUST REMAIN UNCHANGED.

**PROPRIETARY NOTICE**  
 THIS DESIGN AND TECHNICAL INFORMATION APPEARING ON THIS DRAWING IS THE PROPERTY OF BRIGADE ELECTRONICS, AND IS DISCLOSED IN CONFIDENCE. IT IS NOT TO BE COPIED, REPRODUCED, REVEALED TO OR EXPROPRIATED BY OTHERS, EITHER IN WHOLE OR IN PART WITHOUT THE EXPRESS WRITTEN CONSENT OF BRIGADE ELECTRONICS.

**BRIGADE**<sup>®</sup>  
 www.brigade-electronics.com

Assembly Pl Approval S.NIXON 09.02.16	Approved by B.CHILDS	Checked by R.BATES	Drawn by M.POTTER
Angle of Projection 	Units mm	Scale N/A	Released 11.03.16
	Status RELEASED	Assembly Ref SK-15-05	
	Part No 5066	BE-003299-00-16	